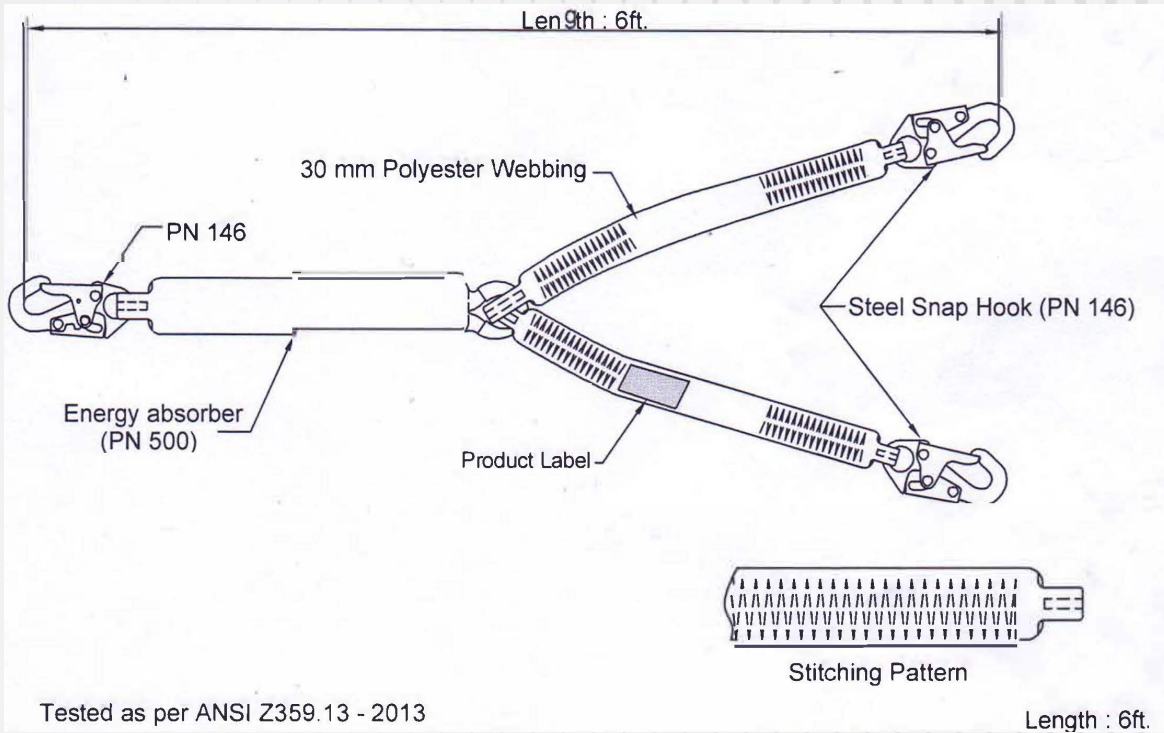


6' DUAL-LEG EXTERNAL SHOCK-ABSORBING LANYARD



Part Number: FAP30198(6)/6-SK

Our **Dingo Core™** series of single and dual-leg lanyards provide an economical solution for Non-SRL applications and are available in multiple hook and shock pack configurations.



Tested as per ANSI Z359.13 - 2013

Length : 6ft.

SPECIFICATIONS

Design	<ul style="list-style-type: none">▶ Double, Y-shaped lanyard▶ Webbing lanyard incorporated with energy absorber (PN 500)▶ Each side of lanyard is equipped with steel snap hook (PN 146)
Webbing	<ul style="list-style-type: none">▶ Material: polyester▶ Width: 1.18 in. \pm 0.04 in. (30mm \pm 1 mm)▶ Breaking strength: 6,000 lbs. (Minimum)
Stitching Thread	<ul style="list-style-type: none">▶ Material: high-tenacity polyester
Metal Components	<ul style="list-style-type: none">▶ Material: alloy steel▶ Plating: zinc plated▶ Finish: shot-blasted▶ Breaking strength: 5,000 lbs.
Weight	<ul style="list-style-type: none">▶ 4.05 lbs. \pm 0.02 lbs.
Applicable Standards	<ul style="list-style-type: none">▶ Meets or exceeds ANSI Z359.13-2013

Safe Keeper Fall Protection is committed to providing high-quality fall protection equipment and systems to create a safer work environment and ultimately save lives in the workforce. We use today's cutting-edge manufacturing processes and experts, applying real-world practical knowledge to engineer effective yet affordable solution-focused products.

